
The following page(s) are extracted from multi-page Kuhnke product catalogues or CDRoms and any page number shown is relevant to the original document. The PDF sheets here may have been combined to provide technical information about the specific product(s) you have selected.

Hard copy product catalogues, and CDRoms have been published describing Kuhnke Pneumatics, Solenoids, Relays and Electronics; some divided into different books. A list of current publications is available on this web site or from our sales offices. Some may be available for download, but as substantially larger files.

Contact Details

Kuhnke sales and service in the UK

H. Kuhnke Ltd
Unit 6 Focus 303
Focus Way, Walworth Business Park
Andover
Hampshire
SP10 5NY
United Kingdom

Tel: +44 (0)1264 364194
Fax: +44 (0)1264 365991
Email: sales@kuhnke.co.uk

Important Note

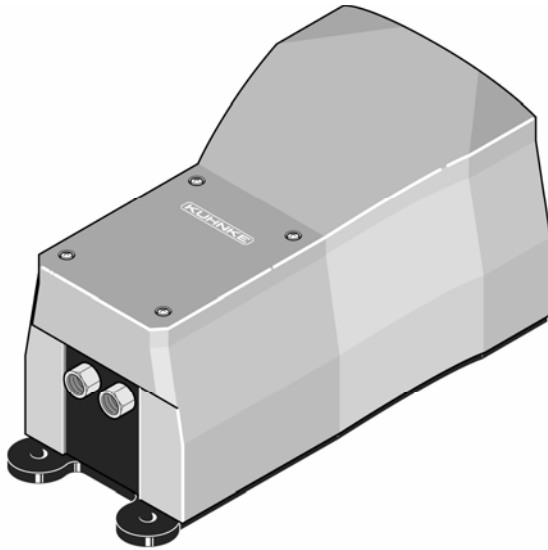
The information shown in these documents is for guidance only. No liability is accepted for any errors or omissions. The designer or user is solely responsible for the safe and proper application of the parts, assemblies or equipment described.

Manually Operated Valves

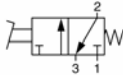
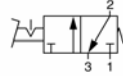
General Purpose

Kuhnke Power Valves

Foot Pedal, 3/2, 1/8 Ports



Foot pedal valves can be used to operate devices which hold work pieces in place on bench workstations or perform punching or drilling operations on production pieces. Housing shields pedal preventing accidental operation. Enclosure is constructed of polycarbonate and available in high visibility yellow or blue colours.

Description	Orifice Port	Color	Catalogue Number	
			Metric Ports Standard	NPT Ports** (USA Std.)
3/2 Spring Return Normally Closed 	2mm 1/8	Yellow	76026-68-21	75026-68-21
	2mm 1/8	Blue	76026-69-21	75026-69-21
3/2 Latch/Unlatch Normally Closed 	2mm 1/8	Yellow	76026-68-29	75026-68-29
	2mm 1/8	Blue	76026-69-29	75026-69-29

** For NPT versions, a metric ported foot pedal unit is supplied with NPT fitting adaptor kits.

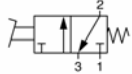
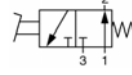
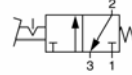
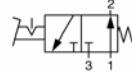
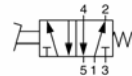
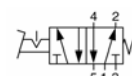
Operating pressure range is 0 to 10 bar. Actuation force @ 6 Bar, is approx. 35 N.

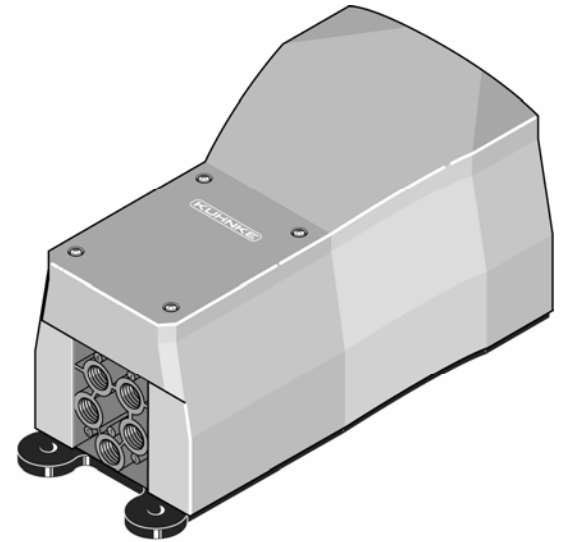
Enclosure dimensions are 228mm L x 141mm W x 117mm H. Enclosure- polycarbonate, valve body- aluminum housing with Buna N seals.

Foot pedals with 2mm orifice valves have an internal non-accessible exhaust port.

Foot Pedal, 1/4 Ports

Foot pedals are available in 3/2 or 5/3 spring return or maintained versions. Latching pedals can be used to lock work pieces in place, while spring return units can be used to perform work operations like punching, pressing etc.

Description	Orifice Port	Colour	Catalog Number	
			Metric Ports Standard	NPT Ports** (USA Std.)
3/2 Spring Return Normally Closed 	8mm 1/4	Yellow	76046-68-21	75046-68-21
	8mm 1/4	Blue	76046-69-21	75046-69-21
3/2 Spring Return Normally Open 	--	--	--	--
	8mm 1/4	Blue	76046-69-31	75046-69-31
3/2 Latch/Unlatch Normally Closed 	8mm 1/4	Yellow	76046-68-29	75046-68-29
	8mm 1/4	Blue	76046-69-29	75046-69-29
3/2 Latch/Unlatch Normally Open 	--	--	--	--
	8mm 1/4	Blue	76046-69-30	75046-69-30
5/2 Spring Return 	8mm 1/4	Yellow	76047-68-41	75047-68-41
	8mm 1/4	Blue	76047-69-41	75047-69-41
5/2 Latch/Unlatch 	8mm 1/4	Yellow	76047-68-49	75047-68-49
	8mm 1/4	Blue	76047-69-49	75047-69-49



** For NPT versions, a metric ported foot pedal unit is supplied with NPT fitting adaptor kits.

Operating pressure range is 0 to 10 bar. Actuation force @ 6 bar, is approx. 35 N.

Enclosure dimensions are 228mm L x 141mm W x 117mm H. Enclosure- polycarbonate, valve body- aluminum housing with Buna N seals.