

The following page(s) are extracted from multi-page Kuhnke product catalogues or CDROMs and any page number shown is relevant to the original document. The PDF sheets here may have been combined to provide technical information about the specific product(s) you have selected.

Hard copy product catalogues, and CDROMs have been published describing Kuhnke Pneumatics, Solenoids, Relays and Electronics; some divided into different books. A list of current publications is available on this web site or from our sales offices. Some may be available for download, but as substantially larger files.

## Contact Details

Kuhnke sales and service in the UK

H. Kuhnke Ltd  
Unit 21, Abbey Enterprise Center  
Premier Way  
Romsey  
Hants  
SO51 9AQ

T: 01794 514445

F: 01794 513514

Email: [sales@kuhnke.co.uk](mailto:sales@kuhnke.co.uk)

### Important Note

The information shown in these documents is for guidance only. No liability is accepted for any errors or omissions. The designer or user is solely responsible for the safe and proper application of the parts, assemblies or equipment described.

---

# Manually Operated Valves

## Panel Mounted 22mm Pushbuttons

Kuhnke Power Valves

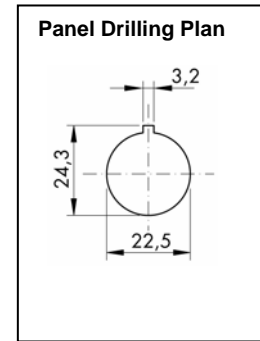
### Miniature Oil Tight Pushbuttons (22mm)

Panel mounted 22mm pushbuttons are designed to fit along side standard industrial electrical pushbuttons to provide a uniform panel appearance and utilize the same drilling hole sizes and spacing. Additionally, items such as legend plates, lock off devices and other standard 22mm accessories can be used to blend air valves with electrical buttons on operator control panels.

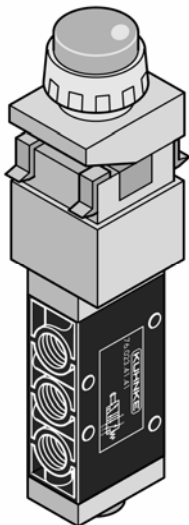
This miniature line is available in 3/2 and 5/2 versions both standard and air pilot assisted. Operators include standard pushbuttons, mushroom heads, selector switches, key operators and wobble sticks.

Operators are cast metal, with a silver finish. Buttons are plastic. Valves are 1/8 ported and have an actuation force of 35 N for the standard types and 8 N for air pilot assisted types.

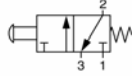
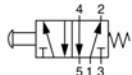
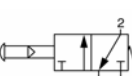

Miniature pushbutton valves utilize a bayonet mounting system that reduces installation time by eliminating loose washers, spacers and valve assembly. The pushbutton operator is inserted in the panel hole and attached to the valve body by turning the valve into place. 2 clamping screws are then tightened into the back of the panel to secure the unit in place.



### Red Pushbutton



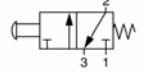
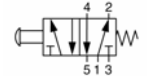
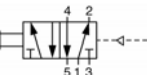
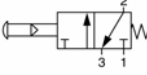
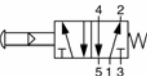
Standard raised red pushbutton for momentary actuation.

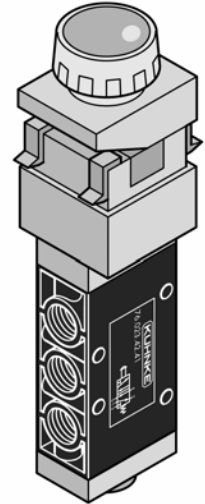
Description	Orifice (Body No.)	Port Size	Catalogue Number	
			Metric Ports Standard	NPT Ports (USA Std.)
<b>3/2</b> Normally Closed Spring Return 	6mm (1S)	1/8	76022-41-21	75022-41-21
<b>5/2</b> Spring Return 	6mm (2S)	1/8	76023-41-41	75023-41-41
<b>3/2 Air Pilot Assisted</b> Normally Closed Spring Return 	6mm (1S)	1/8	76022-51-21	75022-51-21
<b>5/2 Air Pilot Assisted</b> Spring Return 	6mm (2S)	1/8	76023-51-41	75023-51-41

Operating pressure range std. type – 0-10 bar; air piloted types minimum 2.5 bar. Actuation force: std. 35 N, air pilot assisted types 8 N. Above panel dimensions 28mm dia. x 20mm H. Typical behind panel dimensions are 120 mm (3/2), 140mm (5/2) D. x 35mm H x 20mm W. **For valve specifications see appendix. For detail dimensions contact factory.**

### Shrouded Head Red Pushbutton

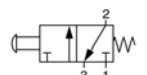
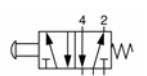
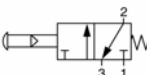
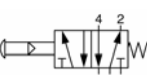
Shrouded Head helps prevent accidental operation of button.

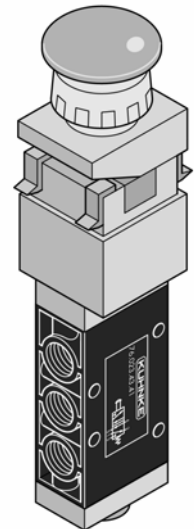
Description	Orifice (Body No.)	Port Size	Catalogue Number	
			Metric Ports Standard	NPT Ports (USA Std.)
<b>3/2</b> Normally Closed Spring Return	 6mm (1S)	<b>1/8</b>	<b>76022-42-21</b>	75022-42-21
<b>5/2</b> Spring Return	 6mm (2S)	<b>1/8</b>	<b>76023-42-41</b>	75023-42-41
<b>5/2</b> Pneumatic Reset Only *	 6mm (2S)	<b>1/8</b>	<b>76023-42-42</b>	75023-42-42
<b>3/2</b> <b>Air Pilot Assisted</b> Normally Closed Spring Return	 6mm (1S)	<b>1/8</b>	<b>76022-52-21</b>	75022-52-21
<b>5/2</b> <b>Air Pilot Assisted</b> Spring Return	 6mm (2S)	<b>1/8</b>	<b>76023-52-41</b>	75023-52-41



### Mushroom Head Red Pushbutton

Mushroom Head allows for palm operation of valve.

Description	Orifice (Body No.)	Port Size	Catalogue Number	
			Metric Ports Standard	NPT Ports (USA Std.)
<b>3/2</b> Normally Closed Spring Return	 6mm (1S)	<b>1/8</b>	<b>76022-43-21</b>	75022-43-21
<b>5/2</b> Spring Return	 6mm (2S)	<b>1/8</b>	<b>76023-43-41</b>	75023-43-41
<b>3/2</b> <b>Air Pilot Assisted</b> Normally Closed Spring Return	 6mm (1S)	<b>1/8</b>	<b>76022-53-21</b>	75022-53-21
<b>5/2</b> <b>Air Pilot Assisted</b> Spring Return	 6mm (2S)	<b>1/8</b>	<b>76023-53-41</b>	75023-53-41



\* Pneumatic Reset PB can only be returned by applying a pneumatic signal (2.5 bar min.) to an auxiliary 1/8 port.  
 Operating pressure range std. type– 0-10 bar; air piloted types minimum 2.5 bar. Actuation force: std. 35 N, air pilot assisted types 8 N.  
 Above panel dim. are 28mm dia. x 12mm H (shroud) or 32mm H (mushroom). Behind panel dim. are 100mm (3/2), 115 mm (5/2) D. x 35mm H x 20mm W.

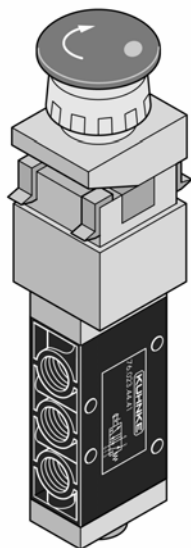
**For valve specifications see appendix. For detail dimensions contact factory.**

# Manually Operated Valves

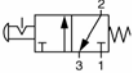
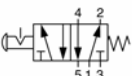
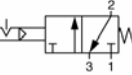
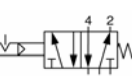
## Panel Mounted 22mm Pushbuttons

Kuhnke Power Valves

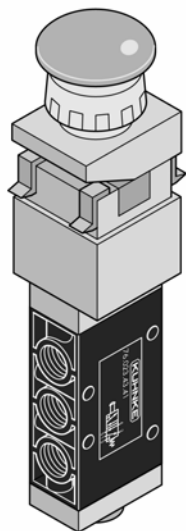
### Mushroom Head, Latching, Red Pushbutton (Punch Button)



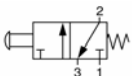
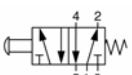
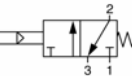
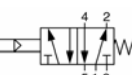
Push to latch, turn to unlatch. Can be used as an emergency stop button.

Description	Orifice (Body No.)	Port Size	Catalogue Number		
			Metric Ports Standard	NPT Ports (USA Std.)	
<b>3/2</b> Normally Closed Maintained Position		6mm (1S)	1/8	<b>76022-44-21</b>	75022-44-21
<b>5/2</b> Maintained Position		6mm (2S)	1/8	<b>76023-44-41</b>	75023-44-41
<b>3/2</b> <b>Air Pilot Assisted</b> Normally Closed Maintained Position		6mm (1S)	1/8	<b>76022-54-21</b>	75022-54-21
<b>5/2</b> <b>Air Pilot Assisted</b> Maintained Position		6mm (2S)	1/8	<b>76023-54-41</b>	75023-54-41

### Wobble Head Red Pushbutton



Wobble button can be operated by pushing mushroom head down or to the side.

Description	Orifice (Body No.)	Port Size	Catalogue Number		
			Metric Ports Standard	NPT Ports (USA Std.)	
<b>3/2</b> Normally Closed Spring Return		6mm (1S)	1/8	<b>76022-45-21</b>	75022-45-21
<b>5/2</b> Spring Return		6mm (2S)	1/8	<b>76023-45-41</b>	75023-45-41
<b>3/2</b> <b>Air Pilot Assisted</b> Normally Closed Spring Return		6mm (1S)	1/8	<b>76022-55-21</b>	75022-55-21
<b>5/2</b> <b>Air Pilot Assisted</b> Spring Return		6mm (2S)	1/8	<b>76023-55-41</b>	75023-55-41

See page 14 for general information on miniature oil tight pushbutton valves.

Operating pressure range std. type– 0-10 bar: air piloted types minimum 2.5 bar. Actuation force: std. – 35 N, air pilot assisted types 8 N.

Above panel dim. are 28mm dia. x 28mm H. Behind panel dimensions are 100mm (3/2), 115 mm (5/2) D. x 35mm H x 20mm W.

**For valve specifications see appendix. For detail dimensions contact factory.**