



Modular Valves Series 78 3/2-way pneumatic valves for mobile applications

- Modular block assembly for high flexibility
- For heavy duty service
- Extended temperature range
- Extended voltage tolerance

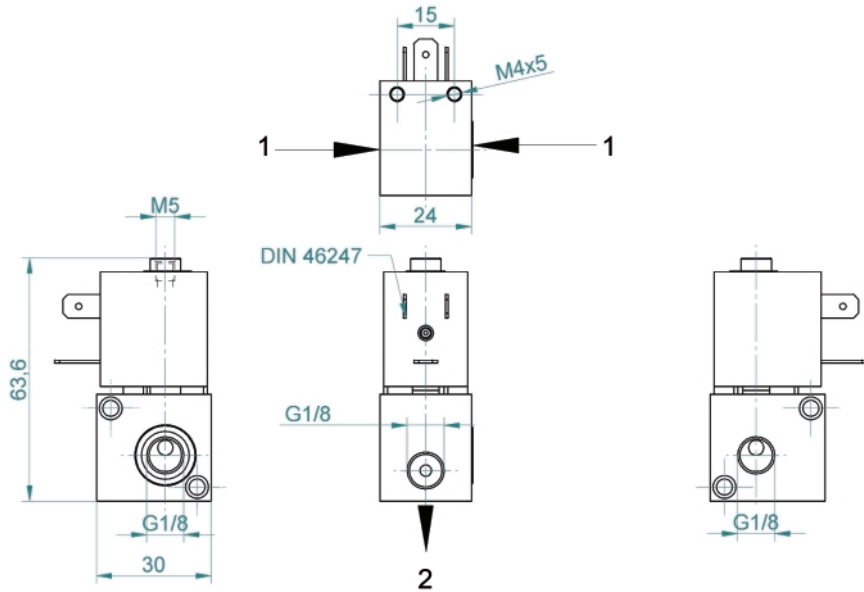
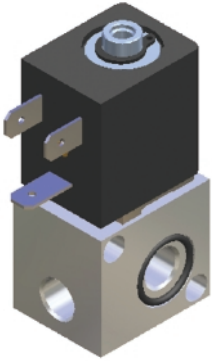
IP 65

EN 60068-2



Solenoid Valves Type 78

1.2 Orifice
3/2-Way Valves
Directional Valves

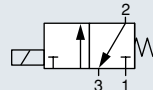


Technical data

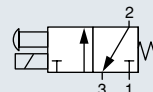
Function	3/2 NC
Inlet port	G1/8
Outlet port	G1/8
Air exhaust port	M5
Mounting	2 x M4 thread on bottom side
Nominal voltage	24 V DC - tolerance 18/31.2 V DC
Power coil approx.	4.6 W
Insulation class	F (155 °C)
Copper enamelled wire	Temperature class H (200 °C)
Switching frequency	1 Hz
Pull-in time approx.	9 - 12 ms
Drop-out time approx.	9 - 12 ms
Duty cycle	100 %
Protection	IP65 with plug-in socket and occupied pneumatic connections
Ambient temperature range	-40 °C...+50 °C
Shock/vibration	25 G all 3 axis/125 Hz random, test in accordance with EN 60068-2
Working pressure	6 - 10 bar
Nominal orifice	Ø 1.2 mm
Flow rate (6.0 bar)	70 NI/min
Medium	Dry or lubricated air, 5 µ filtered
Materials	
Body	Aluminum alloy - anodized
Seals	NBR
Cover	PA6.6

Order no. pilot valve

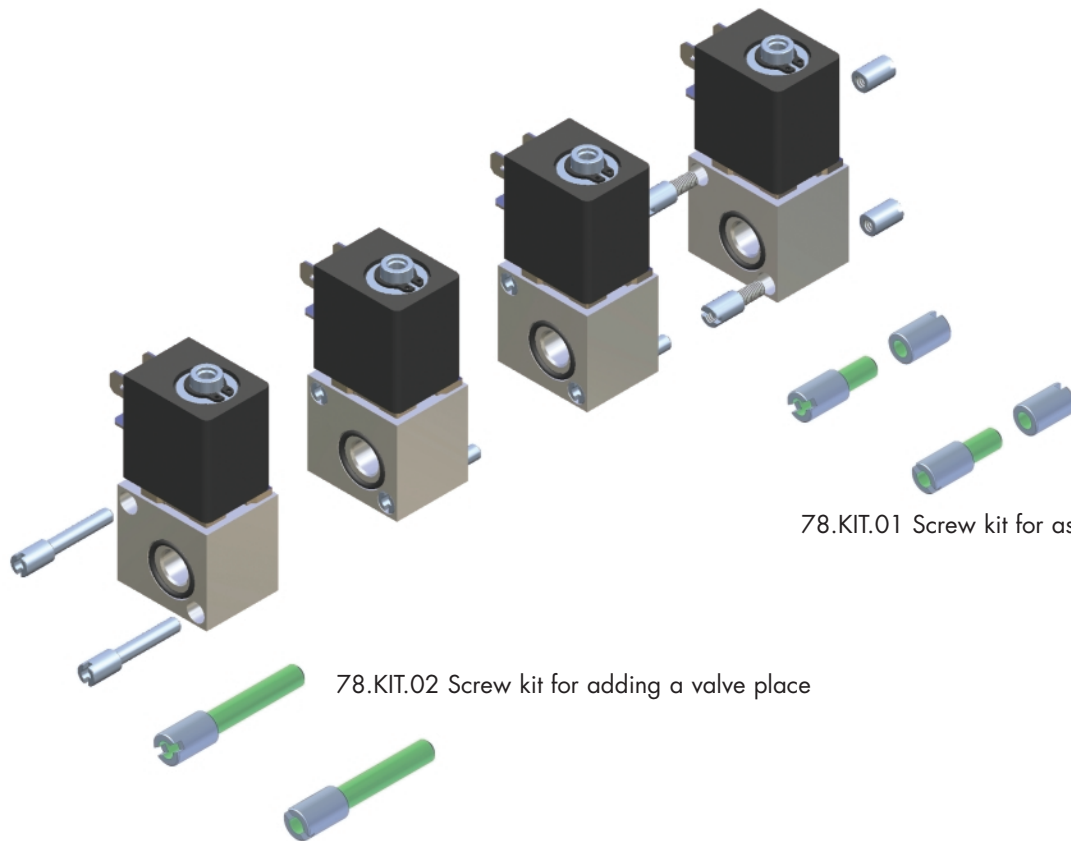
78.A1



78.A2

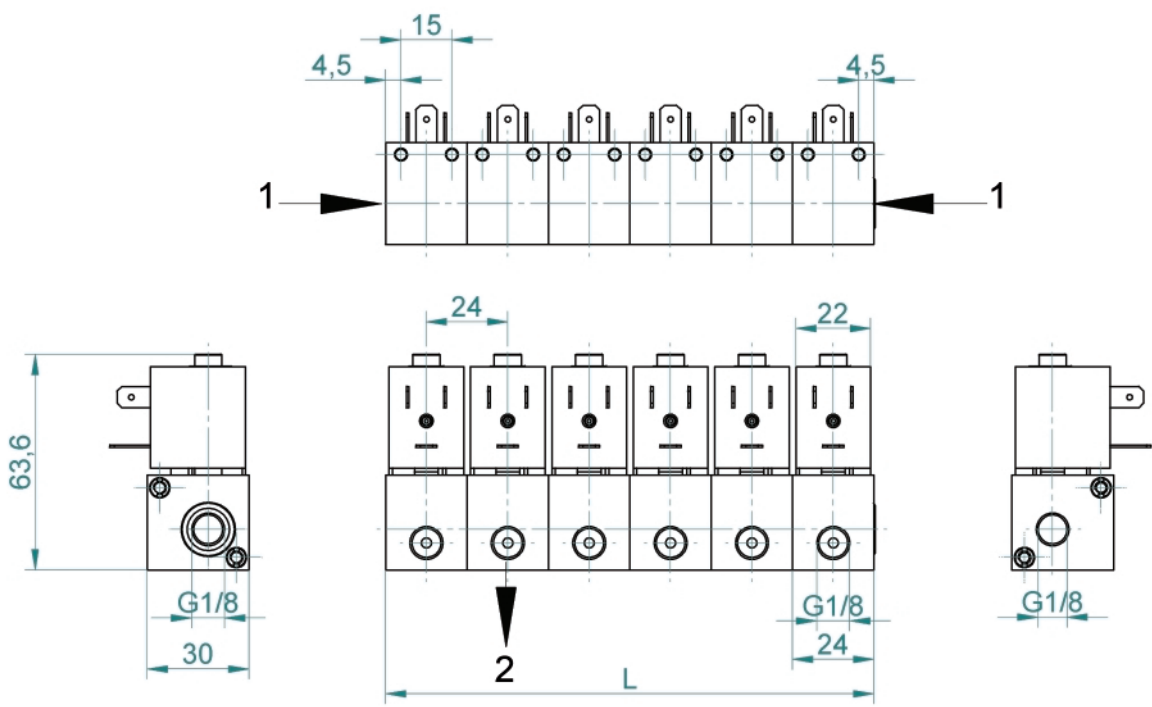


Valve block assembly



78.KIT.01 Screw kit for assembly of first valve place

78.KIT.02 Screw kit for adding a valve place



Places	2	3	4	5	6	7	8	9	10
L	48	72	96	120	144	168	192	216	240

Order code	78.	A	1		
Series	78				
Function					
3/2 NC G1/8 24 V DC, 1.2 orifice seal NBR		A			
3/2 NC G1/8 24 V DC, 1.2 orifice seal Viton®		B			
Hand operation					
without manual override			1		
with manual override			2		
Valve assembly					
single valve				-	
2 valves assembled				M02	
3 valves assembled				M03	
4 valves assembled				M04	
5 valves assembled				M05	
6 valves assembled				M06	
7 valves assembled				M07	
8 valves assembled				M08	
9 valves assembled				M09	
10 valves assembled				M10	
Exhaust air					
exhausting freely (standard)					-
common exhaust tube (min. 2 valves assembled)					S
Special versions	KB.	A	1.	M06.	.zzzz*
Accessories					
Kit for assembly of first valve place (2 short screws + 2 inserts)					78.KIT.01
Kit for adding a valve place (2 long screws)					78.KIT.02
Examples					
Standard single valve, without manual override					78.A1
Block of 6 valves pre-assembled, without manual override					78.A1.M06
Viton® sealed single valve with manual override					78.B2
Block of 9 valves, Viton® sealed, with manual override and common exhaust tube					78.B2.M09.S
Special block of 7 standard valves without manual override					KB.A1.M07.zzzz
* zzzz = project number (4 figures, assigned by KUHNIKE)					



Kuhnke Automation
GmbH & Co. KG
Lütjenburger Straße 101
D-23714 Malente

Phone +49 (0) 45 23 / 402-0
Fax +49 (0) 45 23 / 4022 47
E-mail sales@kuhnke.de
Internet www.kuhnke.com

A company of the Kuhnke AG

This technical information is primarily intended for the design and development engineer. It is not an indication of delivery possibilities. The indicated data only serve the description of the product, they are not to be understood as the guaranteed quality of the product in legal terms. Agreements as to the quality of the product are reserved to the proper contractual relationship. Claims of damages against us – on whatever grounds – are excluded, except in instances of deliberate intent or gross negligence on our part. Reproduction, even of extracts only with the author's approval. We reserve the rights of modification, omission, error.

www.kuhnke.com